

POL-TR Polarizing Microscope, Transmit & Reflect



A5P.2630 Non-Stress Infinity Plan Objective (Transmitting)



Polarizing Microscope Transmit Polarizing Unit



Series Polarizing Microscope



POL TT
Polarizing Microscope, Reflect



POL RTT
Polarizing Microscope,
Transmit & Reflect



POL RT
Polarizing Microscope, Transmit

Product Details



Super Wide Field Eyepiece
SWF10x/22mm
Eyepiece Dia.30mm Diopter Adjustable



The Eyepiece Tube Has Fix Screw
To Prevent Eyepiece Falling Damage During Move



Retical Eyepiece WF10x/20mm, Dia.30mm
With Micrometer X-0.1mm*180 Div / Y-Single Line, Diopter Adjustable
Joint Move Design: Specially For Polarizing Microscope, To Keep Right Side Eyepiece's Cross In View Field Keep Vertical Direction Even When Eyepiece Tube Turned.



Fixed E80:P20



E100:P0/E0:P100

Trinocular Head Light Split Optional Between Switch E100:P0/E0:P100 & Fixed E80:P20
In Fixed Light Split, Eyepiece 80% : Photo 20% User Can View Image At Same Time In Both Path
In Switch Light Split, Eyepiece 100%:Photo 0% / Eyepiece 0%:Photo 100%, Camera Can Have 100% Light For Photo Capture.

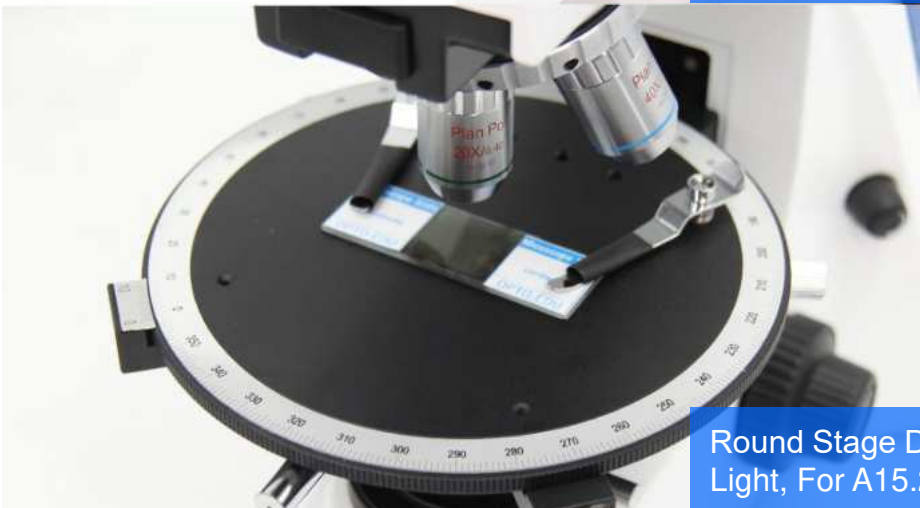


Large Size High Precision Centering Quintuple Nosepiece, Non-Stress Infinity Plan Objective (Transmitting)
4x,10x,20x,40x Available
 Remark: The Yellow Mark On Nosepiece Is Standard Position For 10x Objective, The Rest Objectives Should Be Mounted From High To Low Power In Clockwise Direction, As Above Picture Shown.



**Rotatable 360° ,
 Division 1' , Vernier
 Division 6' , Can Be Locked**

Round Stage Diameter Φ 148mm, For Reflect Light, For A15.2601-R



Round Stage Diameter Φ 174mm, For Reflect Light, For A15.2601-T&RT



For POL-T

Reflect Light 5W LED,
Koehler Illumination
For A15.2601-R&RT

Analyzer Rotatable 360° , Module Type, Can Be Locked
With Bertrand Lens Built-in Focus Adjustable, With Compensator Slide, Quartz Wedge Slide Slot



Swing-out Condenser, N.A.0.9/0.13, With Polarizer For A15.2601-T&RT
Lens In Bottom, With Scale, Can Be Locked.
Swing The Lens In To Get Excellent Image When Using High Power Objective To Make Observation.



3W LED Koehler Illumination, Field Diaphragm
Powered By Safety Low Voltage Charger
Input Wide Voltage 100V-240V, Output 5V1A, Support Power Bank Supply For Outdoor Use



Product Specification

Items	POL TR-T Polarizing Microscope Trans&Reflect
Head A15.2601-RT / RTB	Professional Polarizing Seidentopf Binocular Head, Inclined 30°, Rotatable 360°, Interpupillary Distance 48-76mm, Eyepiece Tube Dia.30mm,
Head A15.2601-RT / RTT	Professional Polarizing Seidentopf Trinocular Head, Inclined 30°, Rotatable 360°, Interpupillary Distance 48-76mm, Light Split Switch E100:P0/E20:P80, Eyepiece Tube Dia.30mm
Head	Joint Move Design: Speically For Polarzing Microscope, To Keep Right Side Eyepiece's Cross In View Field Keep Vertical Direction Even When Eyepiece Tube Turned
Eyepiece	WF10x/20mm, Dia.30mm, High Eyepoint, Diopter Adjustable
	WF10x/20mm, Dia.30mm, With Micrometer X-0.1mm*180 Div / Y-Single Line, Diopter Adjustable, With Position Pin For Joint Move (option)
Nosepiece	Quintuple, Center Adjustable
Non-Stress Infinity Plan Objective (Transmitting)	PLAN 4x/0.10, W.D.=12.1mm
	PLAN 10x/0.25, W.D.=4.64mm
	PLAN 20x/0.40(S), W.D.=2.41mm
	PLAN 40x/0.66(S), W.D.=0.65mm
Non-Stress LWD Infinity Plan Objective (Reflecting)	LPL50x/0.70(S) W.D.=1.95mm (option)
Working Stage	Round Stage Diameter Φ 174mm, For Transmit Light , Rotatable 360°, Division 1', Vernier Division 6', Can Be Locked
Condenser	Swing Out Condnsr, N.A.0.9/0.13, With Polarizer Lens In Bottom, With Scale, Can Be Locked
Polarizing Unit	Analyzer Media Unit, Between Head And Body, Analyzer 0~360° Adjustable, Can Be Locked, With Bertrand Lens Built-in Focus Adjustable,
	Compensator Slide, With λ Slip (First Class Red)
	Compensator Slide, With $\lambda/4$ Slip
	Quartz Wedge Slide (I-IV Class)
	Polarizer Lens, Bulit-in Bottom Part Of Condenser
Focusing	Coaxial Coarse & Fine Focusing, Coarse Focusing Travel Range: 22mm, Fine Focusing Div. 0.002mm
Illumination	Transmit Light 5W LED / Reflect Light 5W LED Koehler Illumination, Powered By Safety Low Voltage Charger, Input Wide Voltage 100V-240V, Output 5V1A, Support Power Bank Supply For Outdoor Use
Field Diaphragm	For Kohler Illumnation

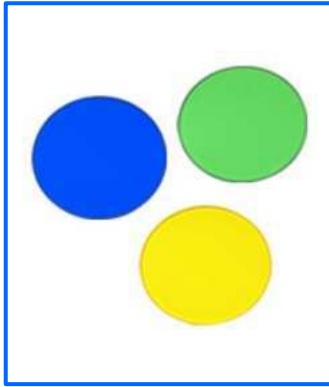
Product Accessories



Quartz Wedge Slide(0-IV Class) Long Type



Field Diaphragm For Kohler Illumination



Filter: Dia.45mm Blue, Green, Yellow



Quintuple, Center Adjustable

9



C-Mount 0.5x Focus Adjustable



C-Mount 0.75x Focus Adjustable



C-Mount 1.0x Focus Adjustable



Digital Eyepiece Camera Adapter Dia. 23.2mm/25mm



Attachable Mechanical Stage, Lecia Type

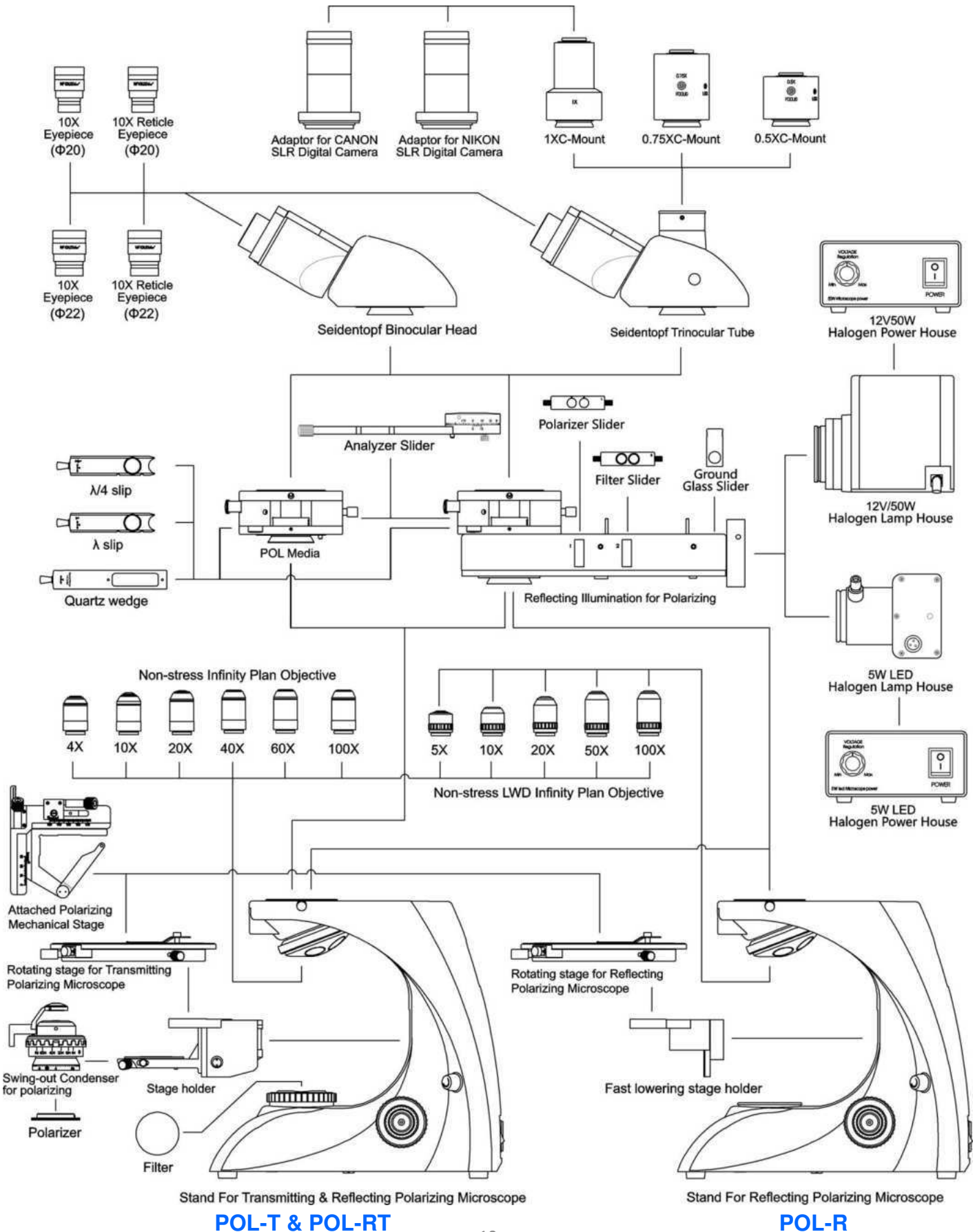


Attachable Polarizing Mechanical Stage, Moving Range 40x40mm

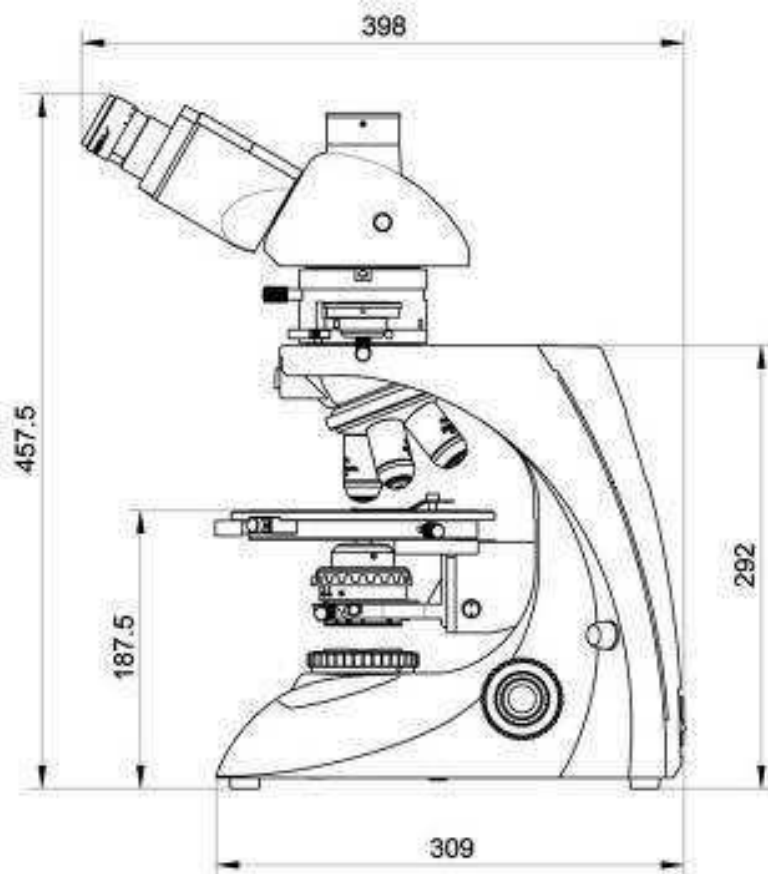
8

General Layout Diagram

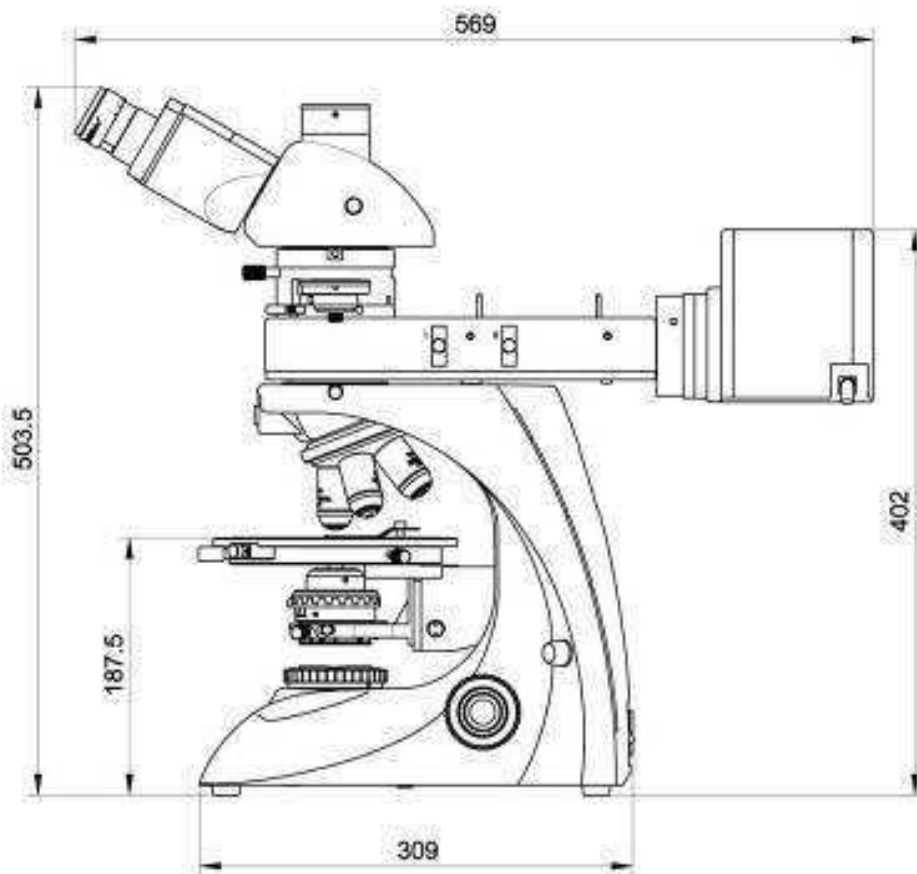
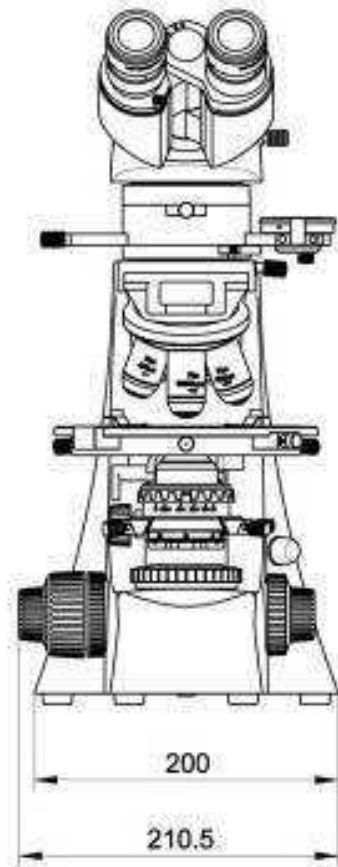
A15.2601 Polarizing Microscope, with full polarizing function, is the best tools for school and student use. It is a professional polarizing microscope, also named mineralogical microscope, with advanced multifunction, is necessary for researching double refraction sample. It can observe mineral crystal figure, color and interference color and also identify its optical performance. It is a good microscope used in geology, petroleum, coal, Chemical fiber, medical treatment, mineral, drug, criminal investigation fields and physic inspection. It is also widely used in academic demonstration and research.



Product Size(mm)



POL-T



POL-R&RT

